

Product Name	All-in-one Solar Garden Light
Product No	AN-ISGL02
Manual No	02
Date	2021

Anern Industry Group Limited



Anern[®]

Lamp structure



Solar Panel

Monocrystalline silicon solar panel.
Waterproof resin package.
PV efficiency > 19%.

LED Chip

High brightness Bridgelux chips.
low loss, luminous flux 110lm/w .
PHILIPS and CREE for optional.

Lithium Battery

Long life cycle, >2000 times deep cycle, 8 times of lead acid battery .
No memory effect, highly efficient charge anytime, no reduction of capacity.
Low self-discharge rate < 3% monthly.

MPPT Controller

Multi-crest MPPT tech, adapts to the solar panel which is under shadow or partly damaged.
Auto identify day/night.
Very low dormancy loss: 0.06W.

Specification



Model	AN-ISG02-20W
LED	2000Lumens, 2700-6500K
Li-ion Battery	15AH
Solar Panel(High efficiency mono)	18V 30W
Solar Charging Time	9-10 hours by bright sunlight
Lighting time	Over 3 nights
Install height	3~4 meters
Waterproof	Ip65
Material	Aluminium alloy + ABS
Size	570*570*230mm
Work temperature	-25 to 65
Lighting Mode	5 Hrs high bright + 7 Hrs 25% dim light
Packing Details	Carton size: 59*59*27CM QTY/CTNS: 1PCS G.W/CTNS:8KG

Specification



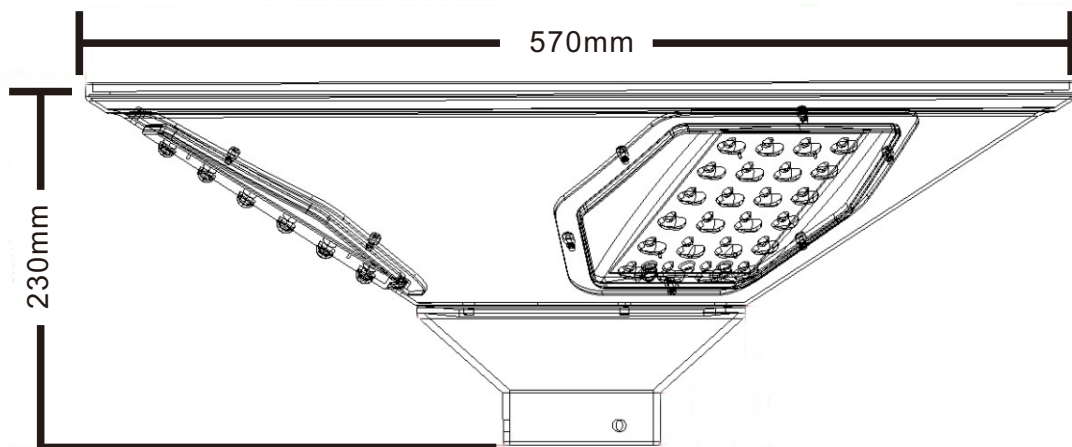
Model	AN-ISG02-30W
LED	3000Lumens, 2700-6500K
Li-ion Battery	30AH
Solar Panel(High efficiency mono)	18V 40W
Solar Charging Time	9-10 hours by bright sunlight
Lighting time	Over 3 nights
Install height	3~4 meters
Waterproof	Ip65
Material	Aluminium alloy + ABS
Size	660*660*240mm
Work temperature	-25 to 65
Lighting Mode	5 Hrs high bright + 7 Hrs 25% dim light
Packing Details	Carton size: 68*68*28CM QTY/CTNS: 1PCS G.W/CTNS:10KG

Specification

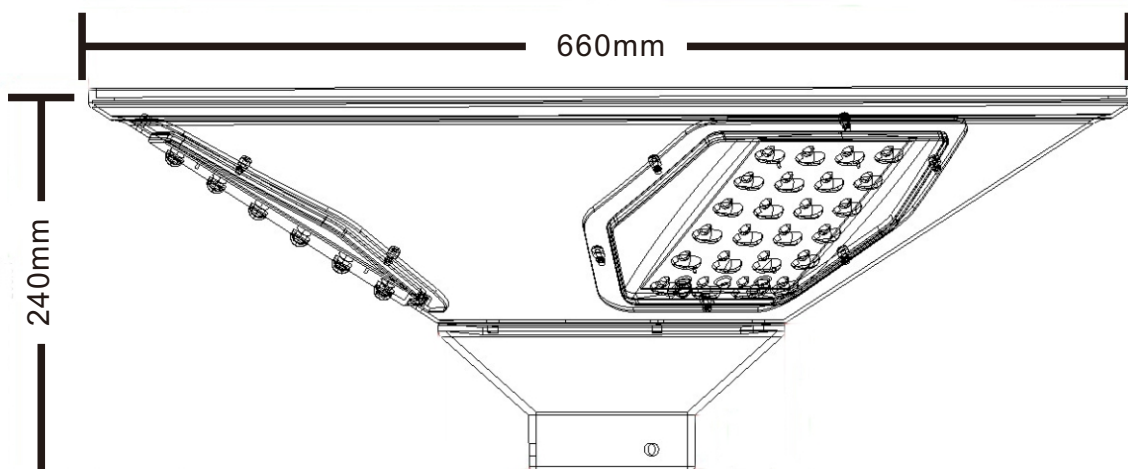


Model	AN-ISG02-50W
LED	5000Lumens, 2700-6500K
Li-ion Battery	40AH
Solar Panel(High efficiency mono)	18V 50W
Solar Charging Time	9-10 hours by bright sunlight
Lighting time	Over 3 nights
Install height	3~4 meters
Waterproof	Ip65
Material	Aluminium alloy + ABS
Size	760*760*250mm
Work temperature	-25 to 65
Lighting Mode	5 Hrs high bright + 7 Hrs 25% dim light
Packing Details	Carton size: 78*78*28CM QTY/CTNS: 1PCS G.W/CTNS:16KG

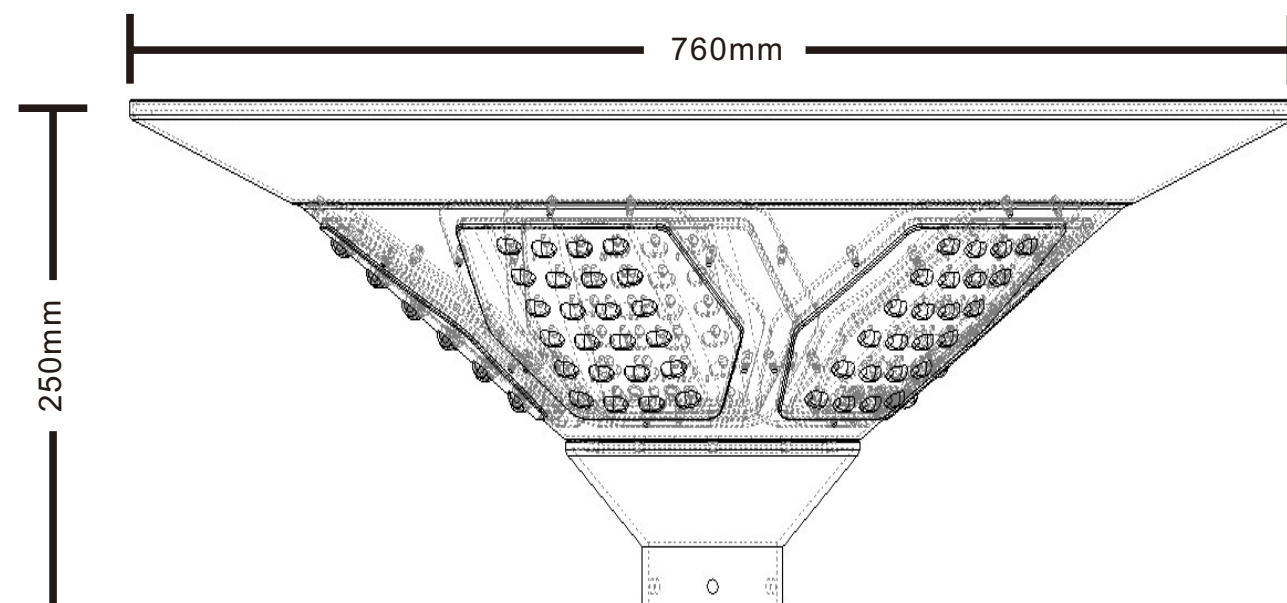
Dimension



20W



30W

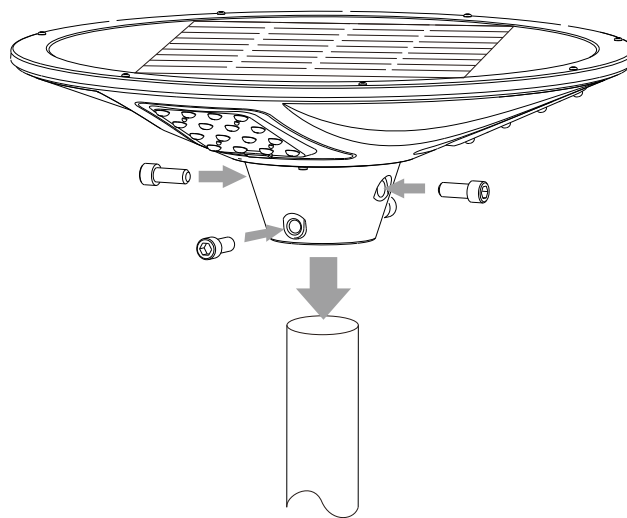


50W

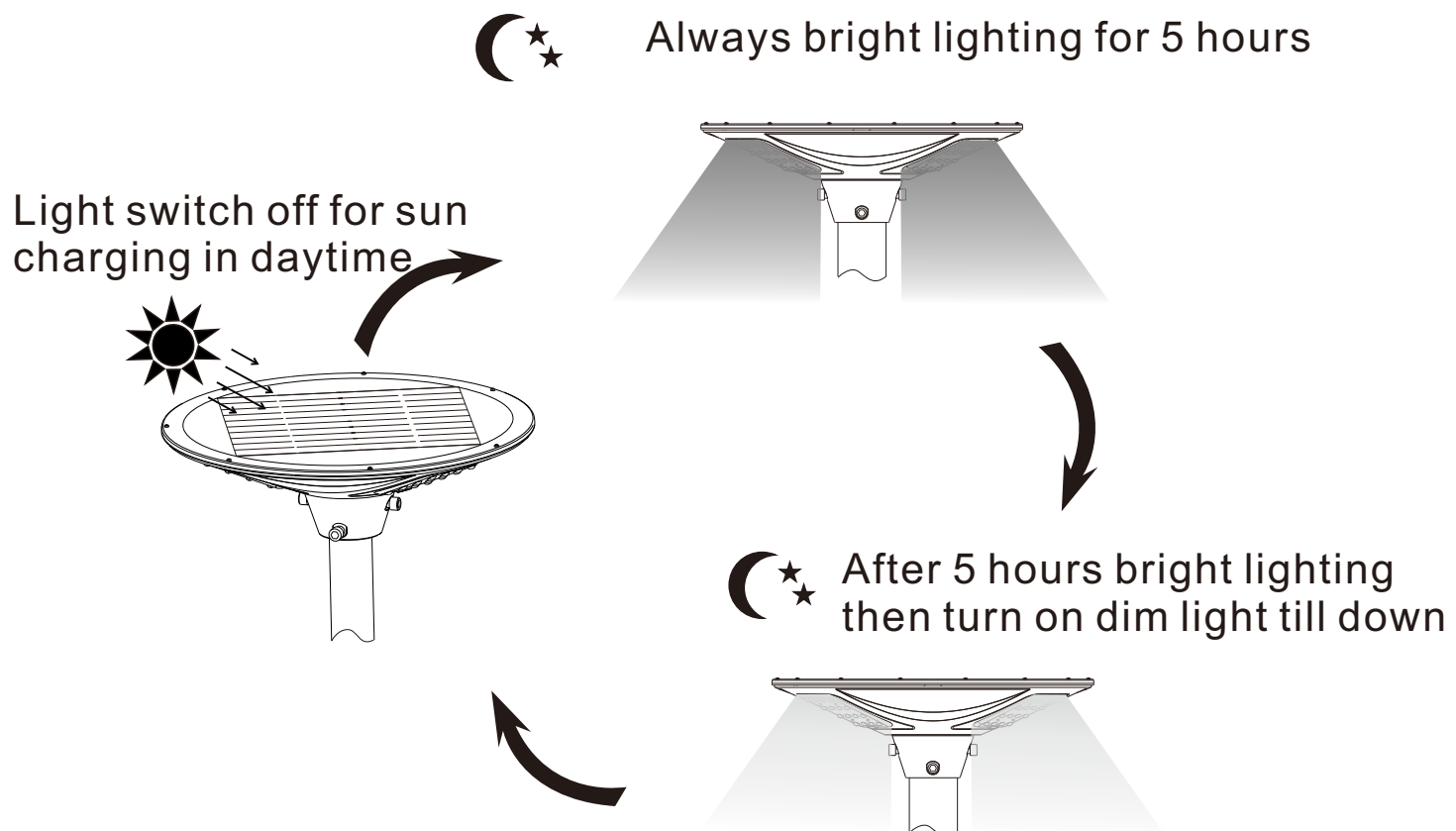
Operation Instructions

How to install the device ?

Very easy to install, just screw on the light to the pole by supplied screws.



How to the light working ?



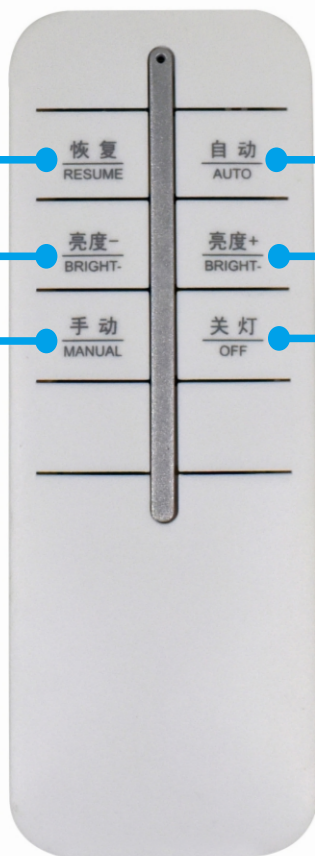
Remote Control



50% LED Power

Reduce brightness

Open the light



Restore the power program that was last adjusted

Increase brightness

Turn off the light

INSTRUCTION MANUAL

(All in one solar lamp)

Product description

This multi-functional integrated solar street light, Concise fashion appearance, ultra-thin exquisite, the best combination of green energy, (solar energy, LED light source, lithium battery, all in one!). Built-in intelligent microwave induction system .It can realize the day time and night time. Intelligence to turn off the lights at the day time and turn on the lights at the night time.Full power when people get in the inductive area.,weak light after people left the inductive area.Energy saving, high brightness, long life, free maintenance, installation and transportation is very convenient.

Product Appearance



Scope of Application:

Urban roads,squares,parks,Residential areas,institutions,military barracks,industrial areas,farms,resorts,villas,courtyards and other outdoor places of lighting.

Technical parameters

Wattage	20W	30W	50W
Solar panel	Monocrystalline 6V 15W	Monocrystalline 6V 25W	Monocrystalline 6V 65W
Ternary Battery	3.2V 24AH	3.2V 36AH	3.2V 60AH
Material Housing	6063 Aluminum Alloy		
LED quantity	300PCS	312PCS	3030 112PCS

Lighting mode	Motion sensor mode & Timing control mode	Motion sensor mode & Timing control mode	Time control (10 hrs /night): 0.5hrs100%+1.5hrs 70%+2 hrs50%+6hrs 20%
Charging time	7hours under strong sunlight	8hours under strong sunlight	8-10 hours under strong sunlight
Discharge time	3-5 Cloudy & rainy days		
Charging conditions	0°C- +50°C		
Discharge conditions	-10°C- +50°C	-10°C- +50°C	-20°C- +40°C
Height of the pole advice	Height:2m	Height:4-6m	Height:6-8m
Lamp pole diameter	Φ26mm	Φ70-80mm	Φ76mm
Product Size	Φ400mm	Φ520mm*H105±5% Φ520mm*H248±5%(with base)	Φ740mm*H143±5% Φ740mm*H240±5%(with base)
Water proof class	IP65		

Features

- All in one design.
- Perfect combination of solar power, LED, Lithium battery, lighting sensor and timing control technology.
- Integrated design without cabling.
- IP65 Rain-proof,rust-proof structure,maintenance free for permanent installation.
- High efficiency Monocrystalline silicon solar panel, lifetime lasts 25 years.
- Integrates lighting sensor and timing control to save power and lighting performance.
- Huge capacity and long lifetime Lithium battery, stable and heat-proof withstand high temperatures.

Installation steps

1. When installing a lamp, do the following test: turn on the power switch (Press button switch), and shade the solar panel with cardboard (or place the solar panel on the ground), so that the solar panel can not shine light, at this time, the lamp

should be ON. Then take the shelter and the lights should be Off. When tested properly, keep the switch on and install the lamp to the top of the lamppost.

(picture 1)

2. Tighten the support base on lamp body with 4 fixed screws , and then place the lamp onto the top of the lamp post. (picture 2)

3. Adjust the position of the lamp post on the base and tighten the fastening screws properly. (picture 3)

Warm tips:

1、 The battery may not be able to work when you receive the lamp, kindly note that there is battery self-discharge during storage and transportation. Please turn off the lamp and place it under the sun for 1-2 days. After that, turn it on and it will work normally.

2、 The lamps will be automatically activated if the environment brightness is lower than 20 lux when put into the box .Please use remote control to turn it off before put it back into the box.

3、 The sensor distance will be reduced when the external temperature rises to approaching human temperature.

4、 The lamps will be automatically light up in the evening after the installation is completed. If need to test on the day time, please use the remote control to aim the infrared receiver of the lamp, press ON, and the lamp will flashing one time and light up .When the setting is complete, the light will be off after flicking one time in the day time, and the lights will be on normally at night.

5、 In the rainy day or winter, the sunlight cannot be as strong as summer, therefore, maybe can't be reached the ideal lighting time.

6、 Choose the best position for the lamp pole, The lamp pole should not be surrounded by higher obstructions.No other object's shadow is projected onto the surface of the solar panel at any time after installed .

7、 The lights will flashing one time when press the remote control's button after successfully setting.if not ,it means the lamp didn't receive the remote signal,should adjust the angle or check the battery of the remote control.

8、 The lamp will work in "B" mode by default after installation.

9、 In order to ensure sufficient lighting time and service life, it is recommended to work in "B" mode.

10、 The product warranty period is 3 years. Within Warranty period, we will offer the free spare parts if any product broken or damage under the usage of instruction sheet.

11 、 Do not open the products and repair themselves without the guidance of professional engineers.