

Product Name	All-in-one Solar Street Light
Product No	AN-SL
Manual No	02
Date	2021



***Anern Industry Group Limited***

**2021**

***The Future Solar Light***

**Anern<sup>®</sup>**

## Our Advantage



## The Future Solar Lights

2021 Anern SL series

## Powerful Visual Impact, Exquisite Product Design

Streamlined unibody structure with superlative surface treatment

## Perfect Solar Street Lighting Solutions

Easier installation, customizable capacity of solar panel and battery, 360°adjustable angle

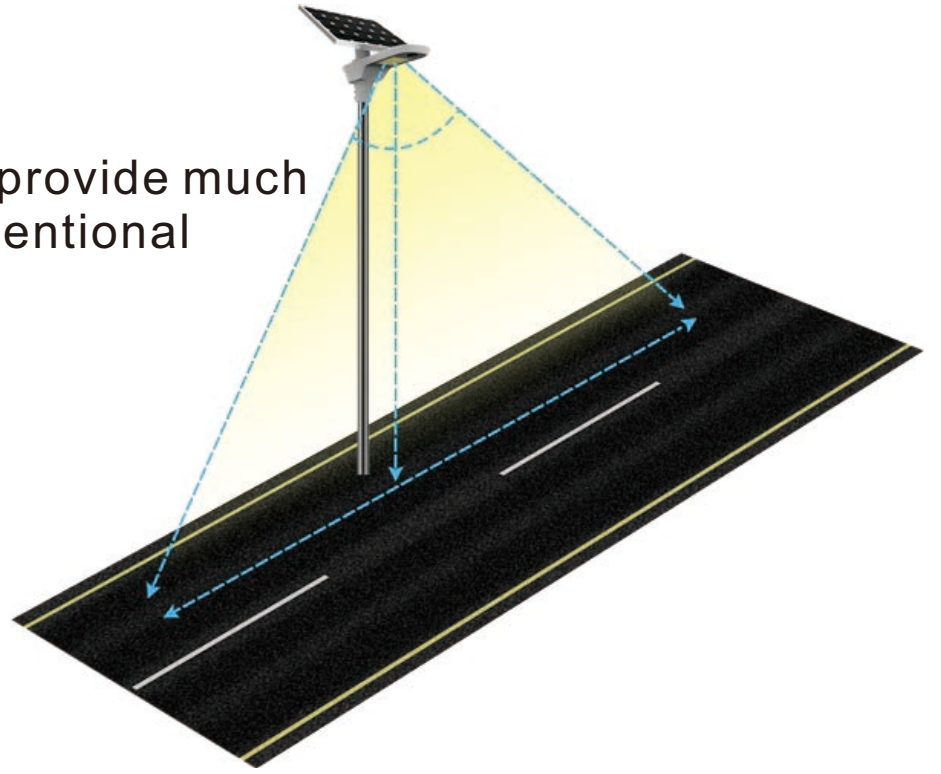
## Main features:

- 1.2021 Anern patented product, beautiful appearance in integrally molded design
- 2.Flexible angle adjustment, high strength against wind
- 3.Big capacity and deep cycle lithium battery, more durable service life.
- 4.Top quality solar cells, smaller size but higher efficiency
- 5.4 types of working modes optional, 6 colors of RGB taillights for decoration

## Feature

### Solar panel angle adjustable

Unique lens with 140\*70 degree beam angle, can provide much wider effective lighting area compared to the conventional solar lights for mounting in the same height



### Easy to replace the battery

Just unscrew the lamp back cover and take out the battery box, no need to unload the whole lamp from the pole for battery replacement, very sample and convenient.

## Feature

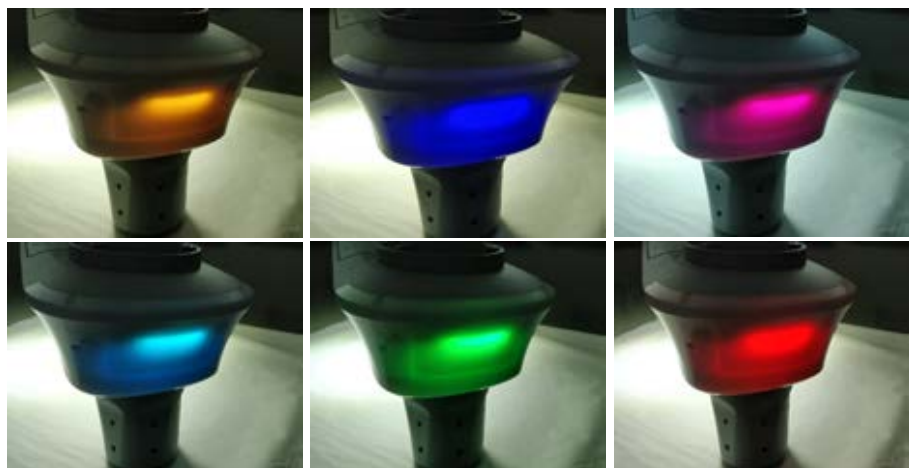
### Solar panel angle adjustable

Solar panel can be adjusted according to different environment and make full use of solar energy



### Decorating function with aesthetic design

6 colors switch by turns



### Remote Control Model

**DEMO:** No matter day or night, light “on” for 1 minute. Only for test use.

**OFF:** No matter day or night, light “OFF” .

**L:** At night, 12hr full power.

**T:** At night, 4hrs Full Power+8hrs 25%.

**M:** At night, 12hrs Motion Sensor Control.

**U:** At night, 4hrs Full Power+8hrs Motion Sensor Control.



## Component Details



19% photoelectric conversion efficiency

Snow/Wind load

PID resistant

25-year progressive warranty



Long life cycle, >2000 times deep cycle

No memory effect, highly efficient charge anytime

Good performance at high temperature resistance

Low self-discharge rate < 3% monthly



99% Purity good wire

Excellent Color Consistency

Brightness Decay can be as low as 3%

190-200lm/w, Energy Saving over 50%

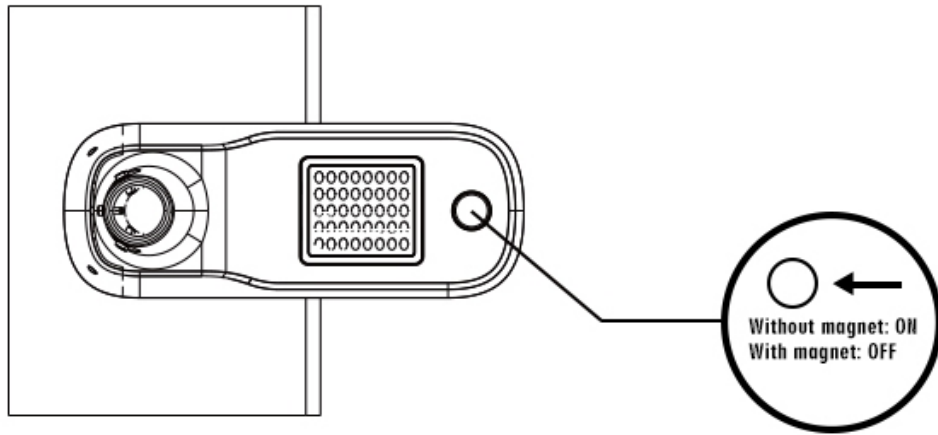


Streamlined unibody structure

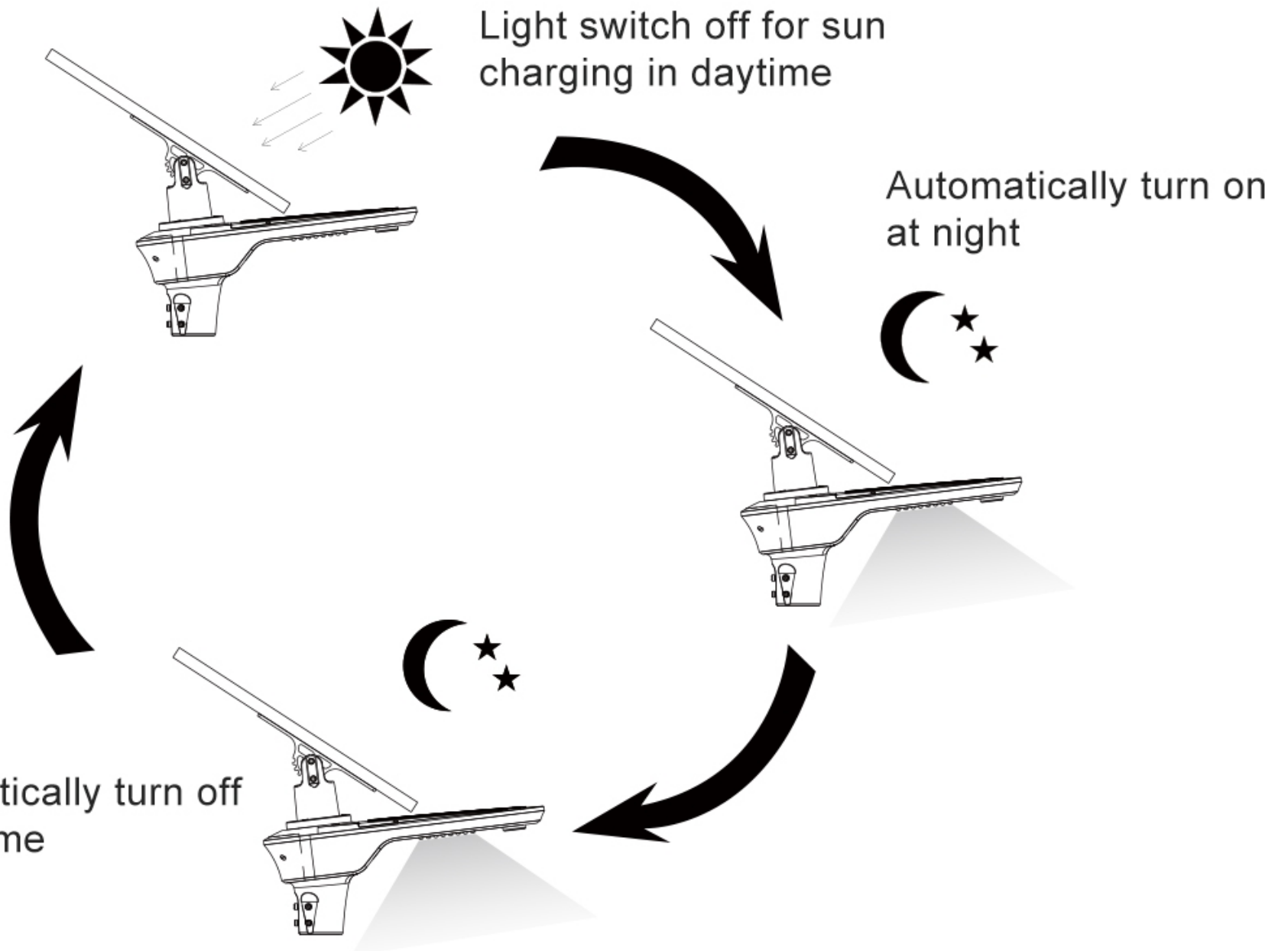
Superlative surface treatment

Ip65 Waterproof

## Operation Instructions



Before mounted on the pole, take away the magnet iron sheet.



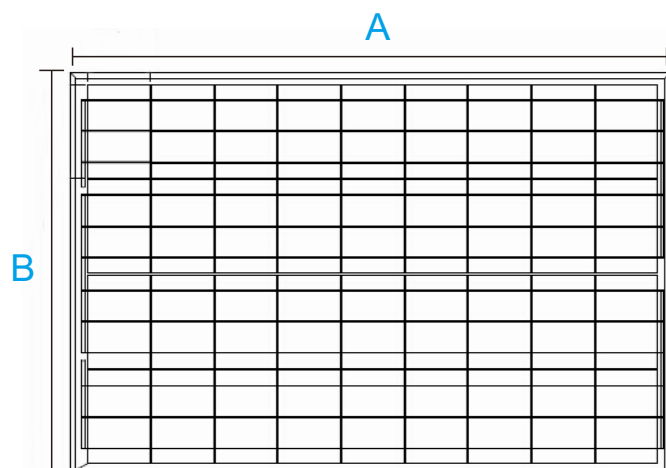
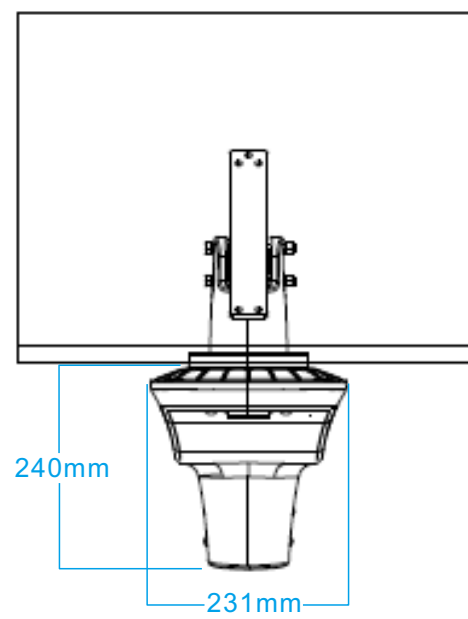
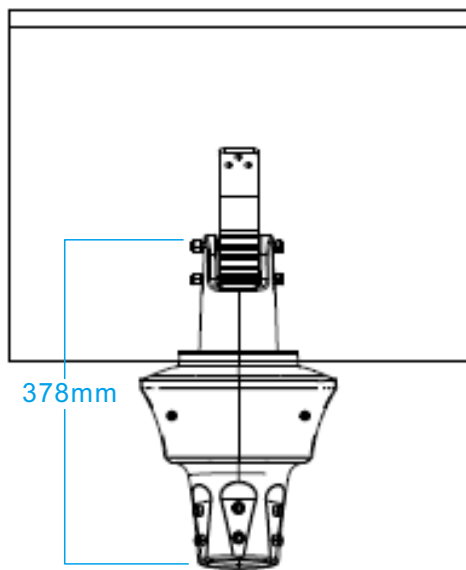
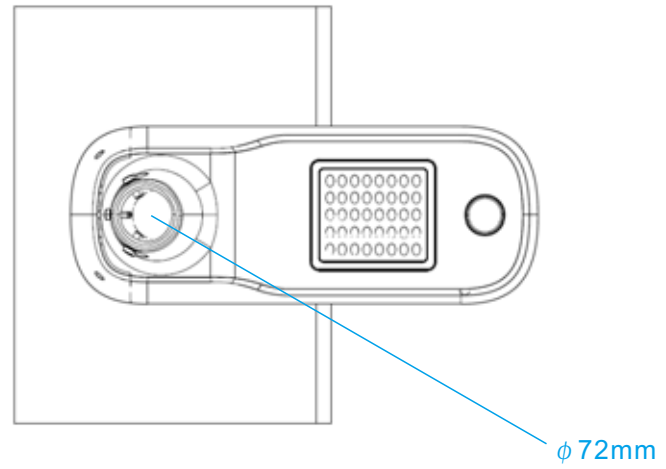
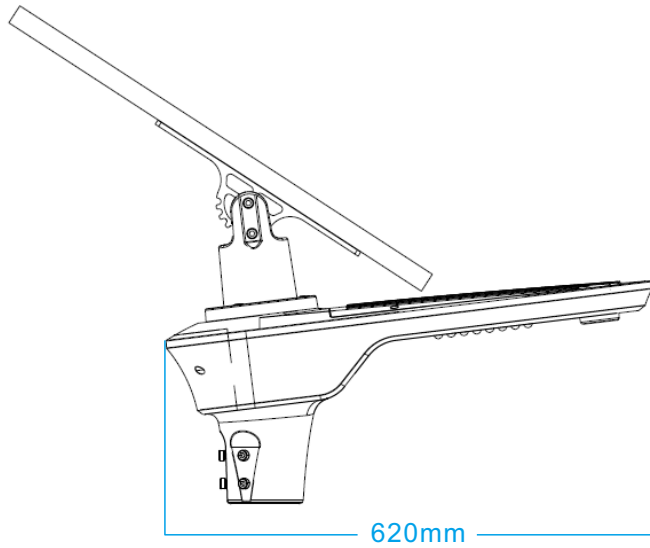


## Anern Industry Group Limited

### Parameters

Model	SL-3000	SL-4000	SL-5000	SL-6000	SL-8000
Li-ion Battery	18AH	24AH	28AH	36AH	42AH
Solar Panel(High efficiency mono)	40W	50W	65W	80W	100W
LED Qty	40pcs	40pcs	40pcs	40pcs	40pcs
Luminous Flux	3000lm	4000lm	5000lm	6000lm	8000lm
LED Chip	Bridgelux				
Solar Charging Time	9-10 hours by bright sunlight				
Lighting time	Over 5 nights				
Install height	3-4m	4-5m	5-6m	6-7m	6-7m
Sensor Time	30s(adjustable)				
Waterproof	Ip65				
Material	Die-cast aluminum				
Size	62*24*24cm				
Work temperature	-25 to 65				
Lifetime	≥50000hours				
Lighting Mode	Customized(Light control+PIR motion sensor+Remote Control)				

## Dimension



	length(cm)	width(cm)	thickness(cm)
40W	53	52	2.5
50W	68	52	2.5
65W	85	52	2.5
80W	102	52	2.5
100W	122	52	2.5



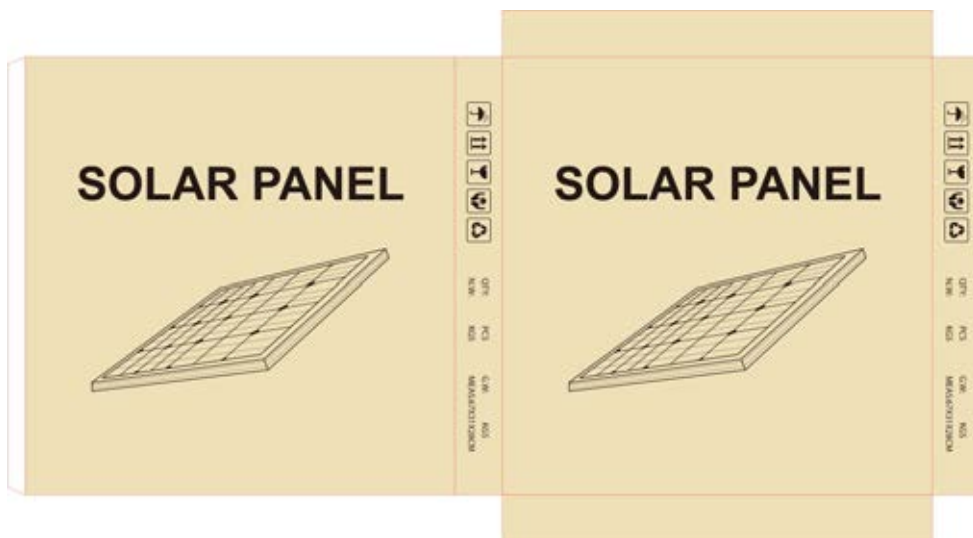


# Anern Industry Group Limited

## Package



	length(cm)	width(cm)	Height(cm)	G.W/CTNS(KG)
SL-3000	67	31	28	11.3
SL-4000	67	31	28	11.8
SL-5000	67	31	28	12
SL-6000	67	31	28	12.3
SL-8000	67	31	28	12.5



	Power(W)	length(cm)	width(cm)	Height(cm)	G.W/CTNS(KG)
SL-3000	40W	59	60	6.5	4.9
SL-4000	50W	59	75	6.5	5.8
SL-5000	65W	59	92	6.5	7.5
SL-6000	80W	59	109	6.5	9.5
SL-8000	100W	59	129	6.5	11.5



# Anern Industry Group Limited

---

## Applications

