

Product Name	LED Flood Light
Product No	AN-TGD03
Manual No	05
Date	2021

Anern Industry Group Limited



Overview

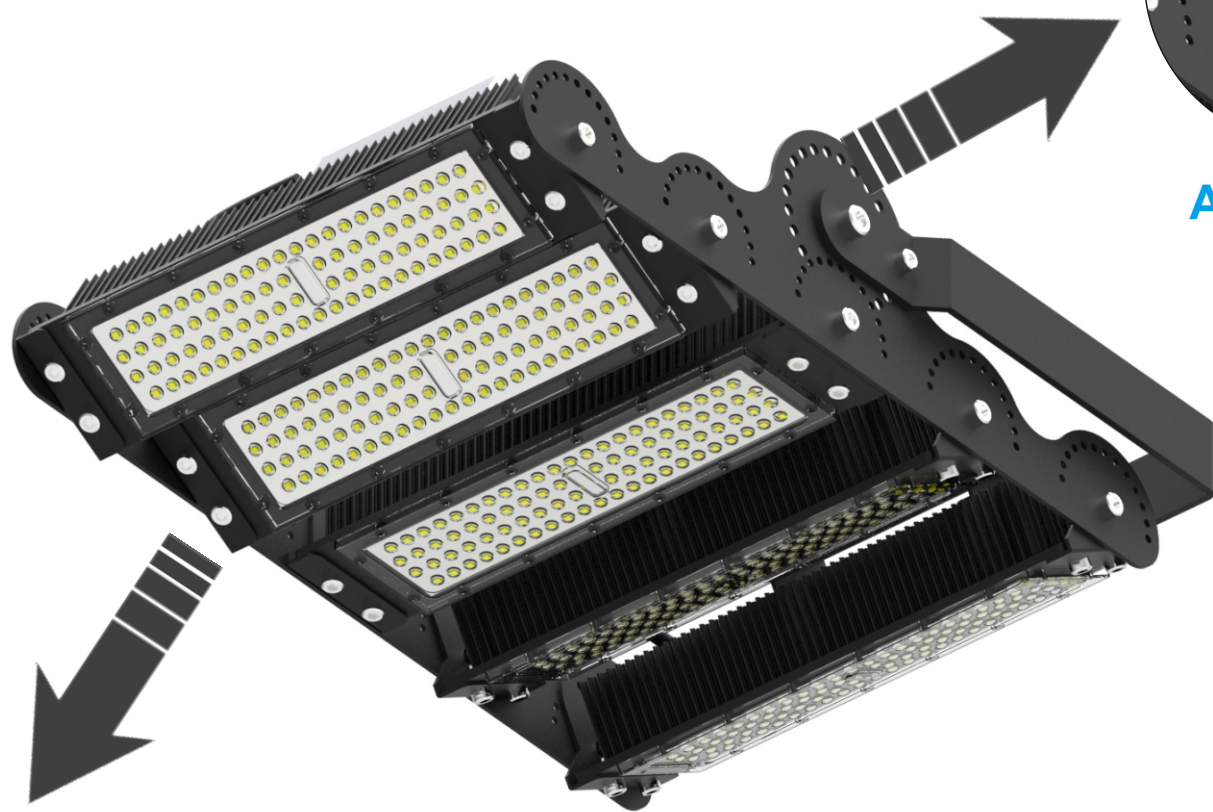
- Die-casting aluminium alloy coated with black anti-corrosion coating surface;
- Independent driver box design;
- Luminous efficiency > 110lm/w, lifespan > 50,000 hours;
- Adjustable angle bracket, adapt to different platform installation;
- 15°/40°/60°/90°/135*78° beam angle optional;
- 3 years warranty on the entire luminaire;

**3 Years
Warranty**

110lm/w



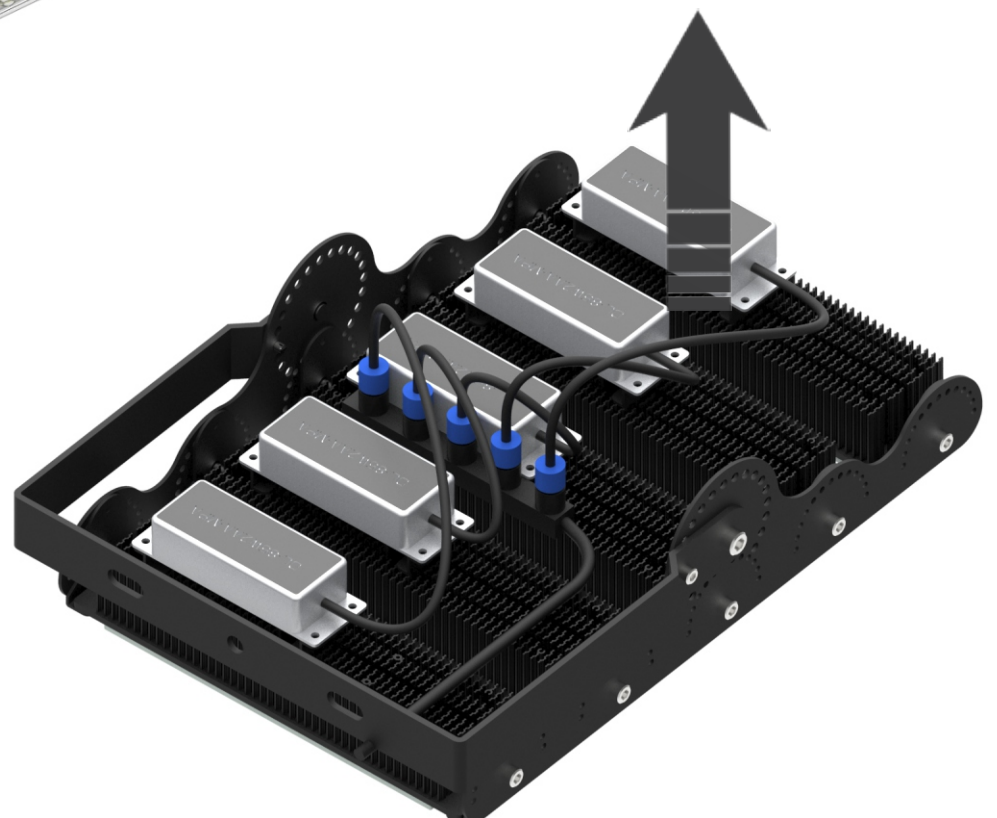
Adjustable angle bracket



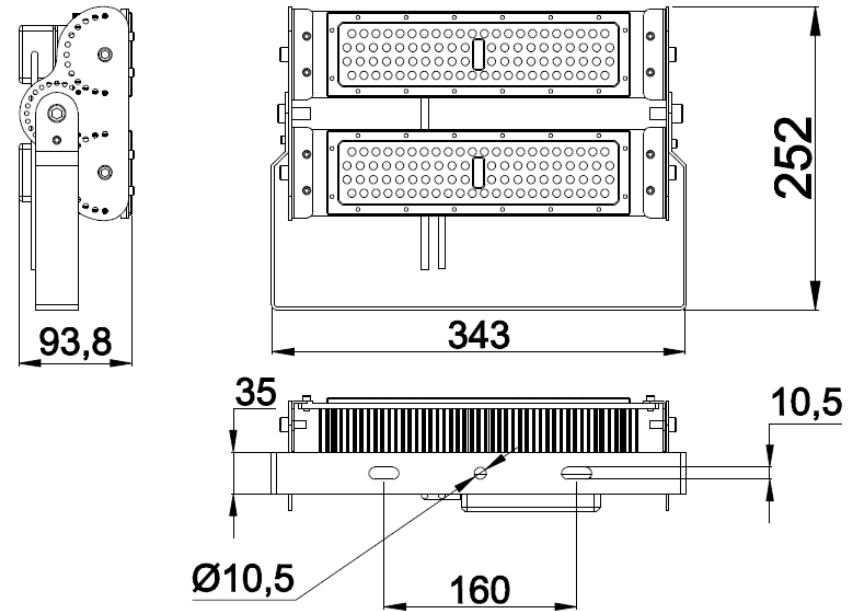
**5 years warranty driver
Meanwell / Sosen optional**



OSRAM 3030 Chip



Specification



Electrical Specifications

Model: No. AN-TGD03
Nominal Wattage: 160W
Nominal Voltage : 85-265VAC, 50/60Hz
Power Factor (PF): >0.95
Driver Efficiency: >90%

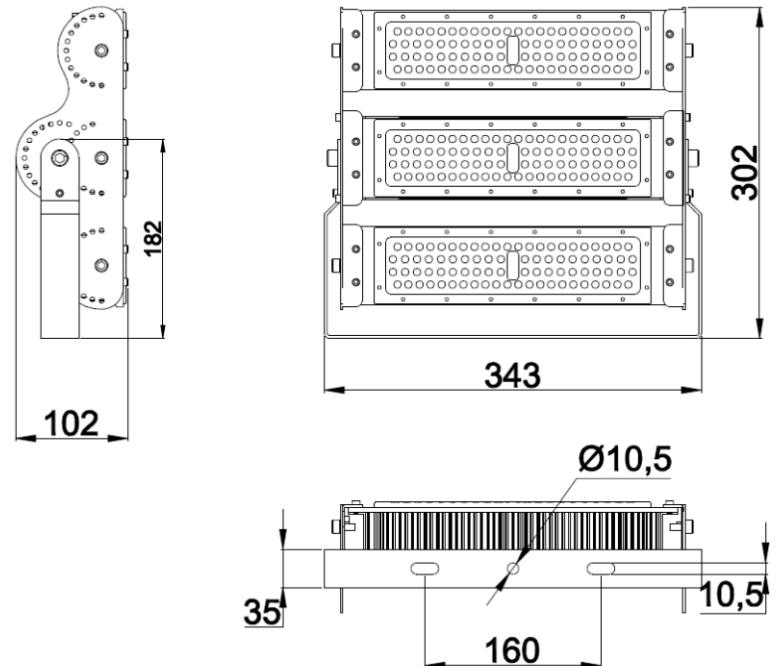
Photometric Specifications

Luminous Flux: 16000-17600lm
CRI: Ra > 80
CCT: 3000-6500K
Optional Beam Angle: 15°/40°/60°/90°/135°*78°

Mechanical Specifications

IP Rating: IP65
Lifetime: 50000 hours
Heat Radiator: Anodized Aluminum
Len: PC
Szie: 343x252x117mm

Specification



Electrical Specifications

Model: No. AN-TGD03
Nominal Wattage: 240W
Nominal Voltage : 85-265VAC, 50/60Hz
Power Factor (PF): >0.95
Driver Efficiency: >90%

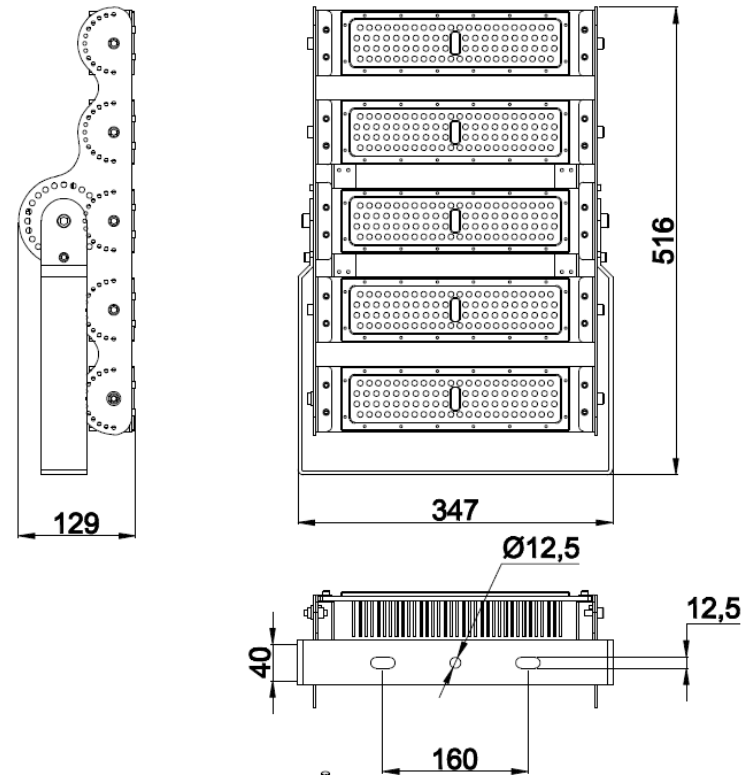
Photometric Specifications

Luminous Flux: 24000-26400lm
CRI: Ra > 80
CCT: 3000-6500K
Optional Beam Angle: 15°/40°/60°/90°/135°*78°

Mechanical Specifications

IP Rating: IP65
Lifetime: 50000 hours
Heat Radiator: Anodized Aluminum
Len: PC
Szie: 343x302x117mm

Specification



Electrical Specifications

Model: No. AN-TGD03
Nominal Wattage: 400W
Nominal Voltage : 85-265VAC, 50/60Hz
Power Factor (PF): >0.95
Driver Efficiency: >90%

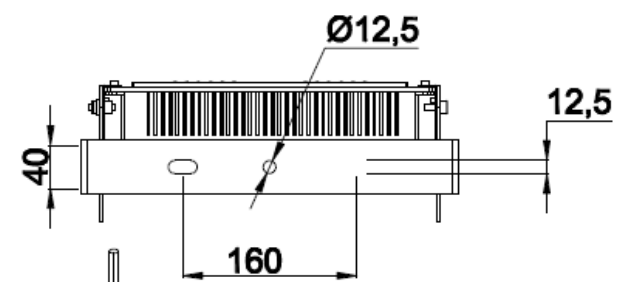
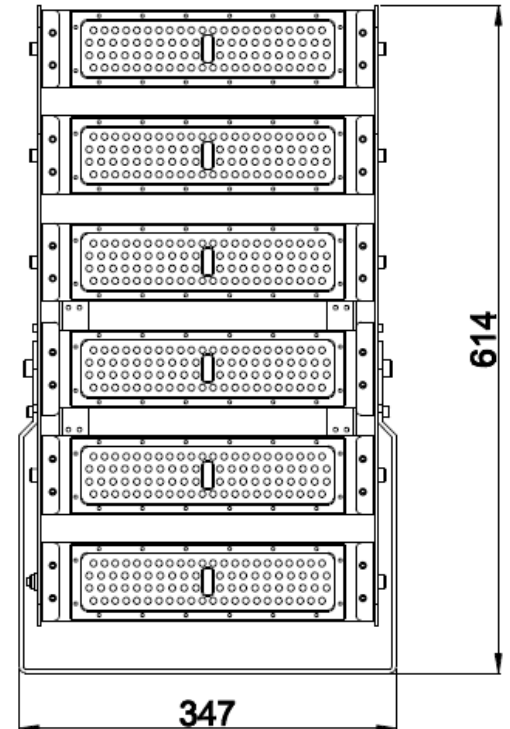
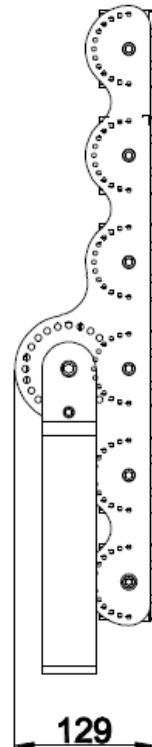
Photometric Specifications

Luminous Flux: 40000-44000lm
CRI: Ra > 80
CCT: 3000-6500K
Optional Beam Angle: 15°/40°/60°/90°/135°*78°

Mechanical Specifications

IP Rating: IP65
Lifetime: 50000 hours
Heat Radiator: Anodized Aluminum
Len: PC
Szie: 516x347x150mm

Specification



Electrical Specifications

Model: No. AN-TGD03
Nominal Wattage: 500W
Nominal Voltage : 85-265VAC, 50/60Hz
Power Factor (PF): >0.95
Driver Efficiency: >90%

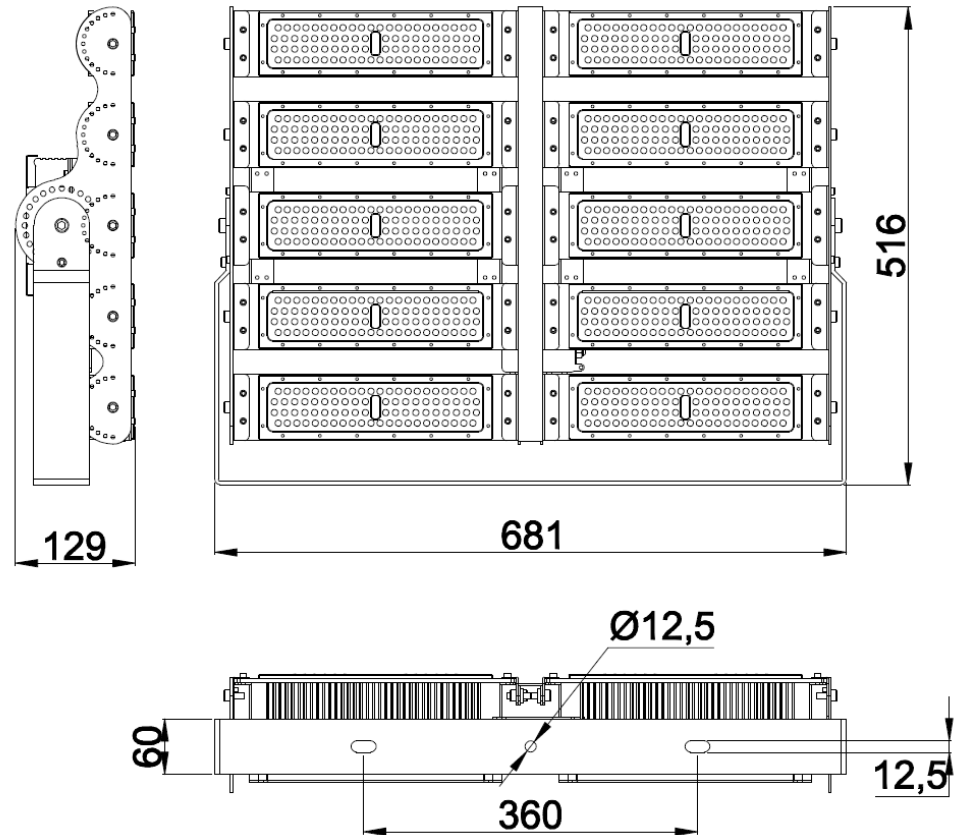
Photometric Specifications

Luminous Flux: 50000-55000lm
CRI: Ra > 80
CCT: 3000-6500K
Optional Beam Angle: 15°/40°/60°/90°/135°*78°

Mechanical Specifications

IP Rating: IP65
Lifetime: 50000 hours
Heat Radiator: Anodized Aluminum
Len: PC
Szie: 614x347x150mm

Specification



Electrical Specifications

Model: No. AN-TGD03
Nominal Wattage: 800W
Nominal Voltage : 85-265VAC, 50/60Hz
Power Factor (PF): >0.95
Driver Efficiency: >90%

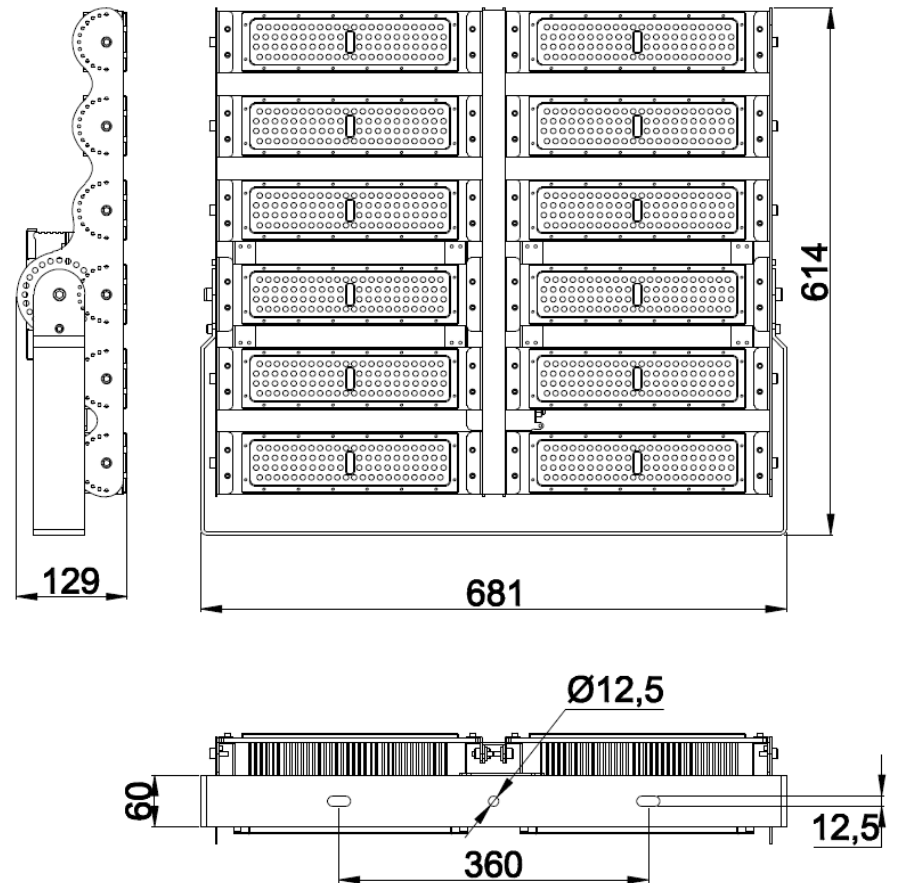
Photometric Specifications

Luminous Flux: 80000-88000lm
CRI: Ra > 80
CCT: 3000-6500K
Optional Beam Angle: 15°/40°/60°/90°/135°*78°

Mechanical Specifications

IP Rating: IP65
Lifetime: 50000 hours
Heat Radiator: Anodized Aluminum
Len: PC
Szie: 681x516x150mm

Specification



Electrical Specifications

Model: No. AN-TGD03
Nominal Wattage: 1000W
Nominal Voltage : 85-265VAC, 50/60Hz
Power Factor (PF): >0.95
Driver Efficiency: >90%

Photometric Specifications

Luminous Flux: 80000-88000lm
CRI: Ra > 80
CCT: 3000-6500K
Optional Beam Angle: 15°/40°/60°/90°/135°*78°

Mechanical Specifications

IP Rating: IP65
Lifetime: 50000 hours
Heat Radiator: Anodized Aluminum
Len: PC
Szie: 681x614x150mm