

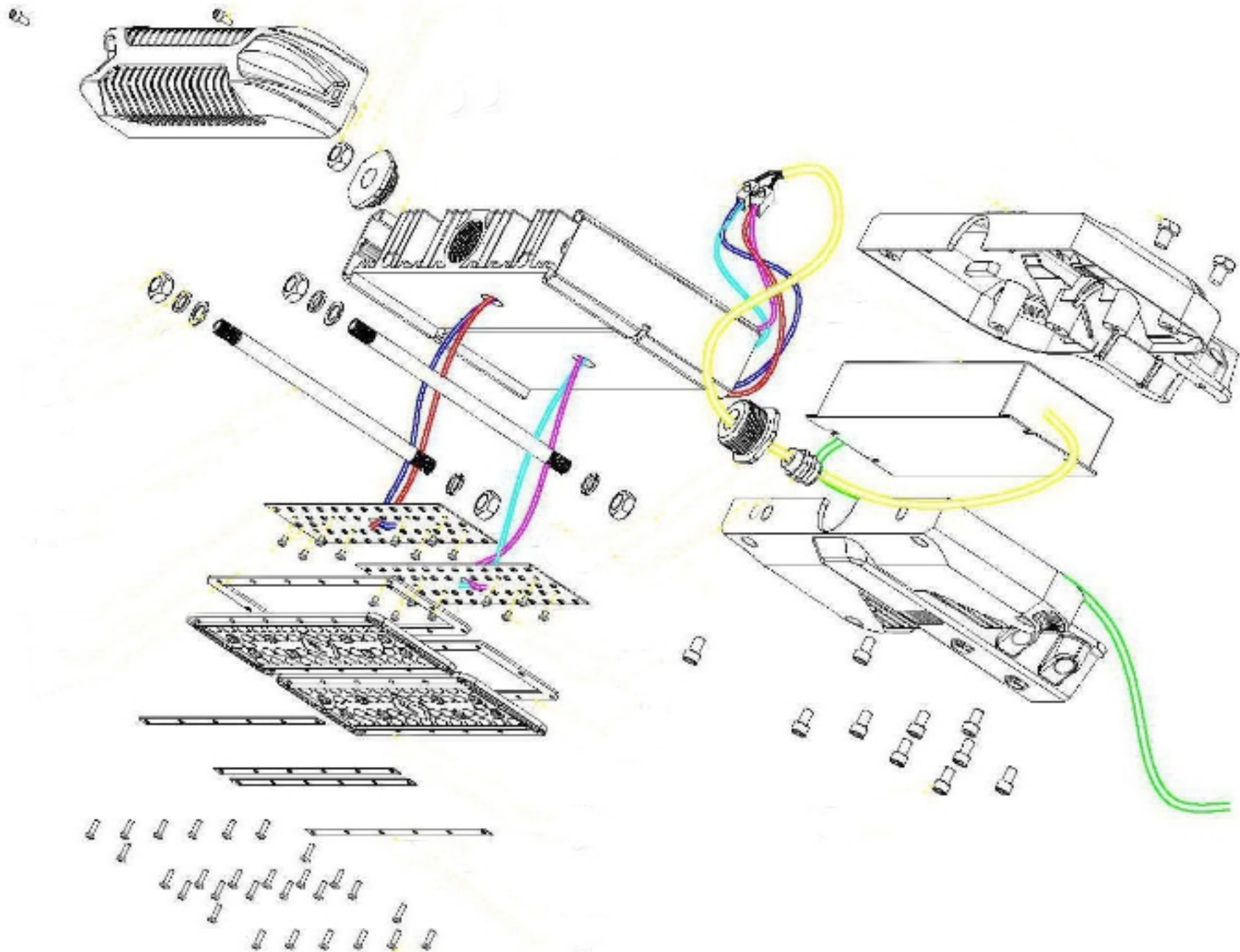
Product Name	LED Street Light
Product No	AN-SLH6
Manual No	11
Date	2021

Anern Industry Group Limited



Anern[®]

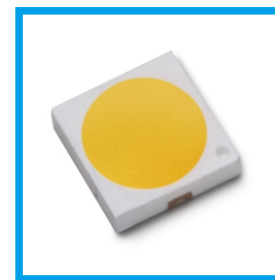
Lamp structure



Feature



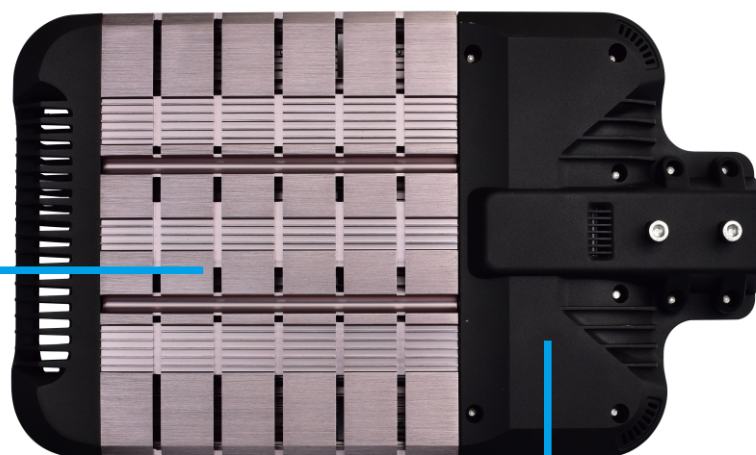
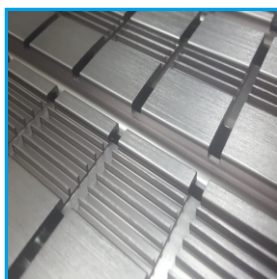
- > Constant Current Output
- > With Active PFC Function
- > Ip67 Waterproof



- > PHILIPS LED Chip
- > Flux > 140lm/w
- > CRI > 80



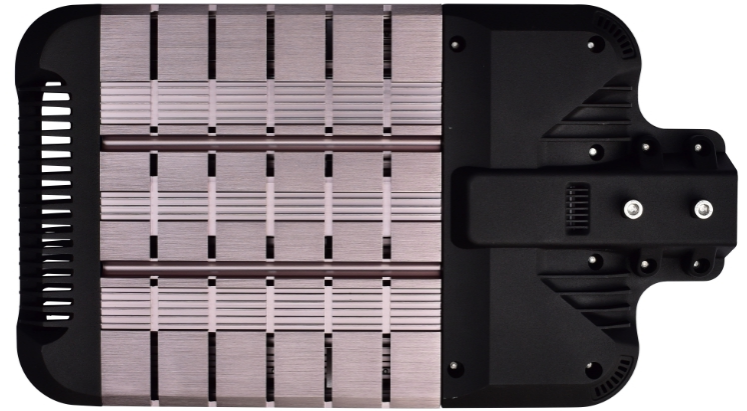
- > Al6060 Material
- > Excellent Heat Dissipation
- > Exquisite Design



- > High Thermal Conductivity
- > Unique Waterproof Structure Design
- > Ultra-small cross-section



Specification



Model	AN-SLH6			
Power	50W	100W	150W	200W
LED Chips (PHILIPS)	44	88	132	176
Luminous Efficiency	5000-5500lm	10000-11000lm	15000-16500lm	20000-22000lm
Voltage	AC85-265V			
PF	≥0.95			
CRI	Ra>80			
Color Temperature	3000-6500K			
Beam Angle	horizontal >110°, vertical >70°			
Working Temperature	-30°C ~ +50°C			
Working Humidity	<85%RH			
Guard Level	Ip66			
Warranty	5year			

Test Report



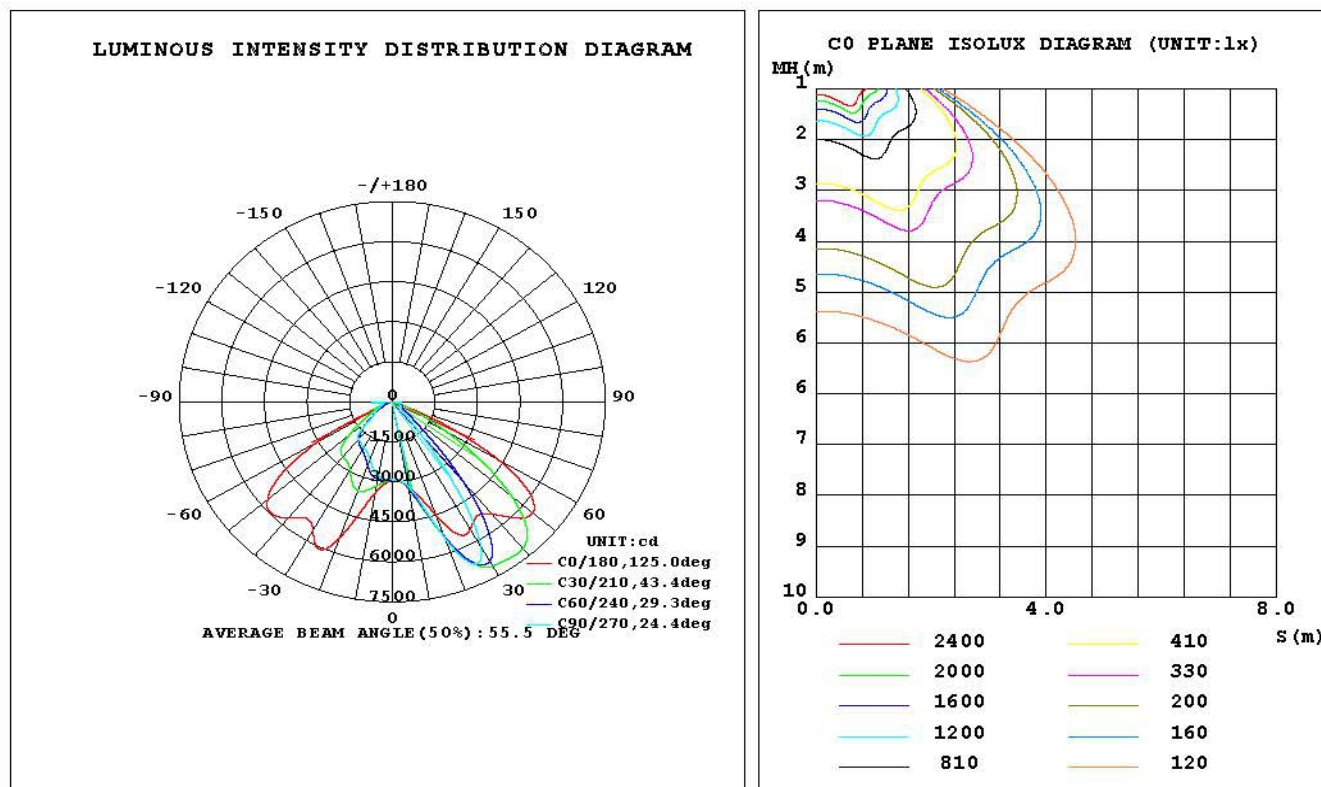
EVERFINE GONIOPHOTOMETERS SYSTEM TEST REPORT

Page 1 Of 12

LUMINAIRE PHOTOMETRIC TEST REPORT

Test:U:220.4V I:0.4470A P:97.60W PF:0.9900 Lamp Flux:11562.4x1 lm		
NAME: LED Street Light 100W	TYPE:	WEIGHT:
SPEC.:	DIM.:	SERIAL No.:
MFR.:	SUR.:	PROTECTION ANGLE:

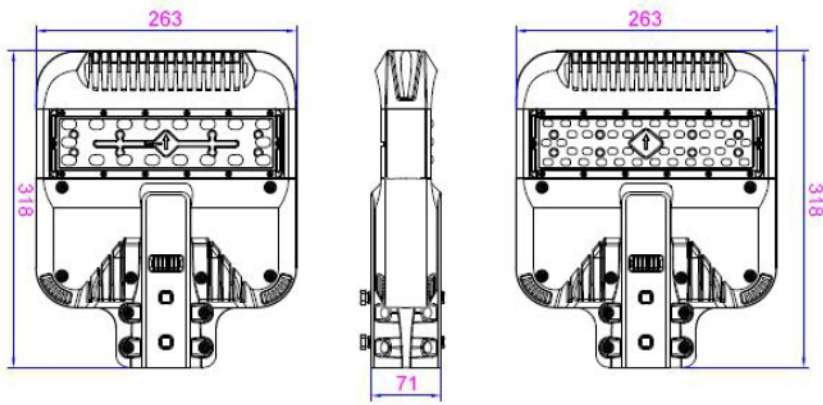
DATA OF LAMP		PHOTOMETRIC DATA Eff: 118.47 lm/W			
MODEL		I _{max} (cd)	7523	S/MH (C0/180)	2.14
NOMINAL POWER (W)		LOR (%)	100.0	S/MH (C90/270)	1.01
RATED VOLTAGE (V)		TOTAL FLUX(lm)	11562	η UP, DN (C0-180)	0.3, 61.5
NOMINAL FLUX(lm)	11562.4	CIE CLASS	DIRECT	η UP, DN (C180-360)	0.2, 37.9
LAMPS INSIDE	1	η up (%)	0.5	CIBSE SHR NOM	0.75
TEST VOLTAGE (V)		η down (%)	99.5	CIBSE SHR MAX	0.90



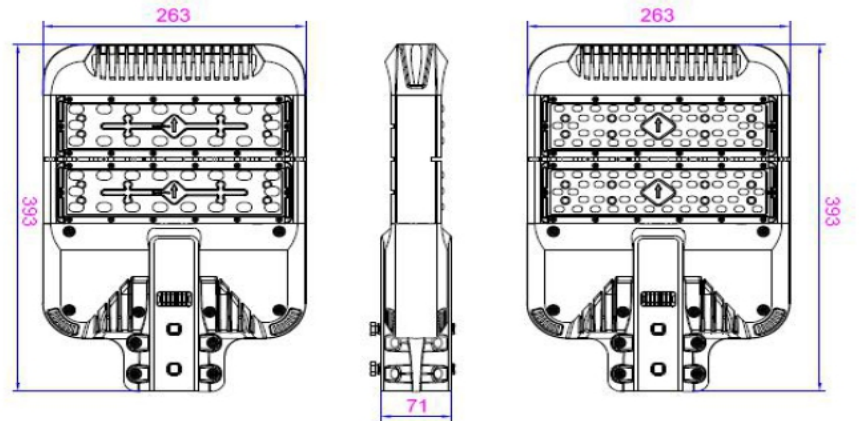
C Range: 0 - 360DEG
 C Interval: 15.0DEG
 Test Speed: HIGH
 Temperature: 25.3DEG
 Operators: YU
 Test Date: 2016-08-25

γ Range: 0 - 180DEG
 γ Interval: 1.0DEG
 Test System: EVERFINE GO-2000B_V1 SYSTEM V2.0.287
 Humidity: 65.0%
 Test Distance: 8.000m [K=1.0000]
 Remarks:

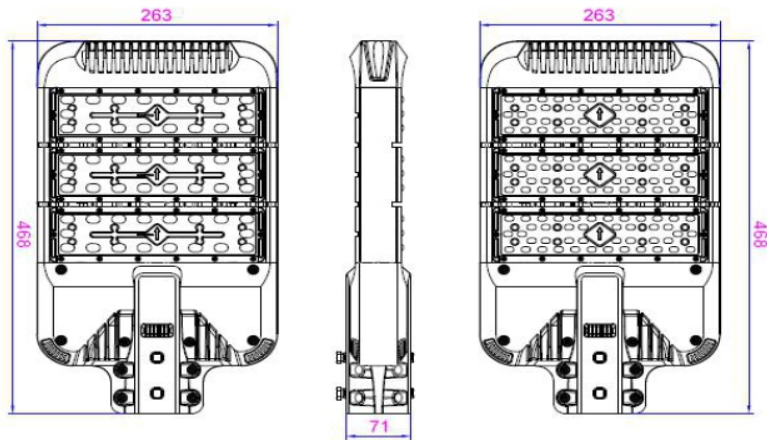
Dimensions



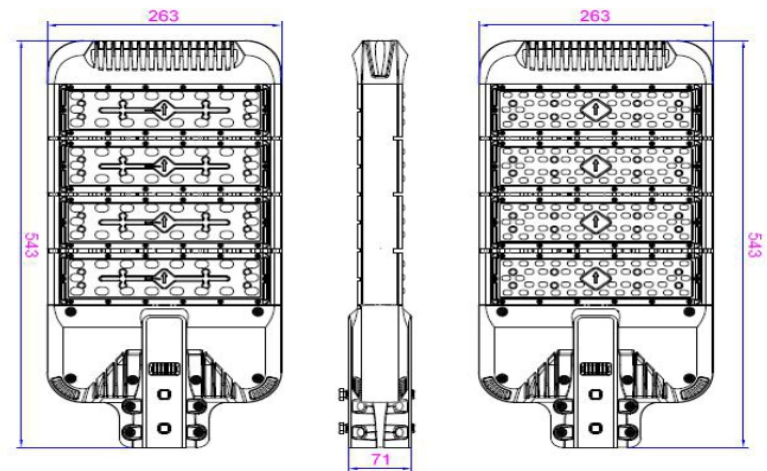
50W



100W



150W



200W

Model	Carton Size	Q'ty/CTN	GW./CTN
50W	385*305*110mm	1	3.4KG
100W	460*305*110mm	1	4.7KG
150W	535*305*110mm	1	5.8KG
200W	610*305*110mm	1	7KG



Anern Industry Group Limited

Our Factory

